

# PA SERIES

## RATIOMETRIC VOLTAGE OUTPUT



### Analog absolute positioning

Utilizing a precision potentiometer, the UniMeasure PA series position transducer provides basic absolute positioning with an analog output. With a steady state input voltage and with the potentiometer connected as a voltage divider, the ratiometric output voltage is directly proportional to wire rope extension. The unit will function with any input voltage up to 25 volts maximum. To obtain best output linearity, the input voltage should be well regulated.

## SPECIFICATIONS

### GENERAL

Linearity	
2", 3", 4" & 5" Ranges	±0.25% Full Scale
10", 15", 20" & 25" Ranges	±0.15% Full Scale
All other ranges	±0.10% Full Scale
Repeatability <sup>[1]</sup>	±0.015% Full Scale
Resolution	Essentially Infinite
Construction	Aluminum Cover & Baseplate
Sensing Device	Precision Potentiometer
Connector	MS3102A-14S-6P
Wire Rope	Ø.016 Stainless Steel
Wire Rope Tension	See Supplemental Data <sup>[2]</sup> , Table 7
Wire Rope Inbound Acceleration	See Supplemental Data <sup>[2]</sup> , Table 7
Weight	
Up to 50"	1.0 lb. (0.45 Kg)
60" & 80"	1.4 lb. (0.63 Kg)
Dimensional Information	See Supplemental Data <sup>[2]</sup> , Fig. 1 & 2
Options and Accessories	See Supplemental Data <sup>[2]</sup>

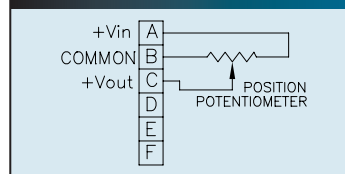
### ELECTRICAL

Input Impedance	1000Ω ±10%
Output Impedance	0-1000Ω
Excitation Voltage	30 Volts Max. AC or DC
Output Voltage Change Over	
Full Range of Transducer	92% to 98% of Excitation Voltage

### ENVIRONMENTAL

Thermal Coefficient of Sensing Element	±100 PPM/°C max.
Operating temperature	-40°C to +95°C
Operating humidity	95% R.H. max. non-condensing
Vibration	15 G's 0.1 ms max.
Shock	50 G's 0.1 ms max.
Ingress Protection	NEMA 1, IP-40

### CONNECTION DIAGRAM



### FOOTNOTES TO SPECIFICATIONS

- Moving to the same position from the same direction.
- Supplemental Data section locate at end of Standard Series pages.

## MODEL NUMBER CONFIGURATION

PA - 0 - 1 2 3 - 4 5 6 - 7 0 9

### BASIC CONFIGURATION (FOR ALL RANGES)

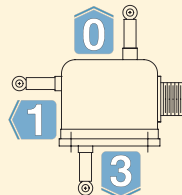
PA-50-S10-N1S-10C

0 RANGE
2.....2" (50 mm)
3.....3" (75 mm)
4.....4" (100 mm)
5.....5" (125 mm)
10.....10" (250 mm)
15.....15" (390 mm)
20.....20" (500 mm)
25.....25" (640 mm)
30.....30" (750 mm)
40.....40" (1000 mm)
50.....50" (1250 mm)
60.....60" (1500 mm)
80.....80" (2000 mm)

1 WIRE ROPE
S.....Ø.016 (0,4 mm) Stainless Steel
N.....Ø.018 (0,45 mm) Nylon Jacketed Stainless Steel

2 WIRE ROPE TENSION
1.....Standard (50 G Units to 50")
2.....Reduced (See Table 7 for Value)
3.....Increased (100G on Units With Ranges From 2" to 50")

3 WIRE ROPE EXIT DIRECTION
Use Number designators shown



4 DUST WIPER OPTION
N.....No dust wiper
D.....Dust Wiper Included

5 POTENTIOMETER VALUE
1.....1K ohm
2.....2K ohm
3.....5K ohm
4.....10K ohm
See Supplemental Data for Linearity Option

6 ELECTRICAL OUTPUT POLARITY
S.....Standard (increasing output as wire rope is extended)
R.....Reversed (decreasing output as wire rope is extended)

7 CONNECTOR LOCATION
Use Number designators shown
Top View

9 ELECTRICAL INTERFACE
C.....Mating Connector Included
K.....Mating Connector Omitted*
T.....Terminal Strip
*Electrical cable with mating connector may be ordered separately as part number 10028-xM where 'x' is the length required in meters.

### LIFE\*

Ranges 2" to 5" .....	5,000,000 full stroke cycles
Ranges 10" to 25" .....	500,000 full stroke cycles
Ranges 30" to 80" .....	250,000 full stroke cycles

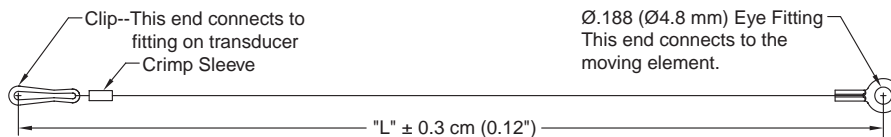
\*With 1K ohm potentiometer, wire rope misalignment 2° maximum at full stroke, relatively dust free environment, and with nylon jacketed wire rope

### OPTION DESCRIPTIONS

OPTION	OPTION DESIGNATOR	DESCRIPTION	
<b>WIRE ROPE</b>	<b>N</b>	Replaces standard stainless steel wire rope with Ø.018 nylon jacketed wire rope. Increases wire rope life dramatically but may increase non-linearity by as much as ±0.05% of full scale.	
Nylon jacketed wire rope			
<b>WIRE ROPE TENSION</b>	<b>2</b>	Reduces the overall tension in the wire rope and increases wire rope life. Dynamic response of the transducer is reduced due to the reduced inbound acceleration capability.	
Reduced Wire Rope Tension			
Increased Wire Rope Tension	<b>3</b>	Increases tension in the wire rope which increases the dynamic response of the transducer. On selected units with range of 50" (1250 mm) or less, inbound acceleration capability is 100G's. Wire rope life may be adversely affected by the HG option.	
<b>DUST WIPER</b>	<b>D</b>	Lubricated wiper strips dust and debris from wire rope as it retracts into case. Adds 0.36" (9 mm) height to wire rope exit location.	
<b>POTENTIOMETER VALUE</b>	<b>2,3,4</b>	Non-standard potentiometer linearity is as follows:	
Non-standard potentiometer (applies to PA series only)		<b>RANGE</b>	<b>LINEARITY</b>
		5" and Below	±1.00% of full scale
	10" to 25"	±0.50% of full scale	
30" and above	±0.25% of full scale		
Note: This option is subject to potentiometer availability.			
<b>ELECTRICAL OUTPUT POLARITY</b>	<b>R</b>	Output is at a maximum when wire rope is fully retracted. Output decreases as wire rope is extended. Does not apply to velocity or encoder signal.	
Reversed output			
<b>ELECTRICAL INTERFACE</b>	<b>T</b>	Replaces connector with a terminal strip.	
Terminal strip			

### 10067 – AUXILIARY WIRE ROPE EXTENSION KIT

The auxiliary wire rope extension may be used to facilitate mounting the transducer remotely from the measurement point. The clip on the extension attaches to the eye fitting on the transducer. The eye fitting on the opposite end, which is identical to the fitting on the transducer, mounts to the moving element. The extension kit is also available with the clip end unterminated for situations where it is more convenient to size the wire rope length during installation. Clip and crimp fitting are included with the unterminated version.



### 10067- 1 -CM- 2

- DIMENSION "L"**  
Specify Dimension "L" in centimeters to the nearest whole centimeter  
NOTES: 1. 1 cm = 0.394"; 1 inch = 2.54 cm  
2. Shortest length "L" is 5 cm (approximately 2")
- UNTERMINATED CLIP END**  
Leave Blank..... Completed Kit (No designator required)  
U..... Unterminated Clip End (clip and crimp sleeve included in kit)

### REPLACEMENT WIRE ROPE KITS

The replacement Wire Rope Kit includes a new wire rope with all end terminations, wire rope guide, felt dust wiper where applicable and installation instructions. To order, replace 'xx' in the part number with the applicable measurement range in inches.

- 10107-xx Replacement Wire Rope Kit**—Standard Ø.016" Stainless Steel Wire Rope.
- 10108-xx Replacement Wire Rope Kit**—Ø.018" Nylon Jacketed Stainless Steel Wire Rope.
- 10127-xx Replacement Wire Rope Kit**—Standard Ø.016" Stainless Steel Wire Rope with Dust Wiper.
- 10128-xx Replacement Wire Rope Kit**—Ø.018" Nylon Jacketed Stainless Steel Wire Rope with Dust Wiper.

### ADDITIONAL OPTIONS

#### TABLE 7

PA, PB, P420 & P510 SERIES						EP SERIES			V & VP SERIES					
Range Designator	Range		Wire Rope Standard Tension		Wire Rope Standard Acceleration	Wire Rope Reduced Tension		Wire Rope Reduced Acceleration	Wire Rope Reduced Tension		Wire Rope Reduced Acceleration			
	(in)	(mm)	(oz)	(N)	(G's)	(oz)	(N)	(G's)	(oz)	(N)	(G's)			
2	2	50	34	9.5	>50	16	4.4	28	—	—	16	4.4	14	
3	3	75	24	6.7	>50	14	3.9	16	—	—	14	3.9	15	
4	4	100	24	6.7	>50	11	3.1	12	—	—	11	3.1	15	
5	5	125	34	9.5	>50	8	2.2	7	—	—	8	2.2	6	
10	10	250	34	9.5	>50	16	4.4	28	16	4.4	19	16	4.4	14
15	15	390	24	6.7	>50	14	3.9	16	—	—	14	3.9	15	
20	20	500	24	6.7	>50	11	3.1	12	—	—	11	3.1	14	
25	25	640	34	9.5	>50	8	2.2	7	8	2.2	7	8	2.2	6
30	30	750	24	6.7	>50	14	3.9	16	—	—	14	3.9	15	
40	40	1000	24	6.7	>50	11	3.1	12	—	—	11	3.1	12	
50	50	1250	34	9.5	>50	8	2.2	7	8	2.2	7	8	2.2	5
60	60	1500	24	6.7	27	7	1.8	2	7	1.8	5	7	1.8	6
80	80	2000	19	5.3	16	5	1.4	2	5	1.4	2	5	1.4	3

### DIMENSIONAL INFORMATION

#### STANDARD SERIES PA, PB, P420, P510, EP & V SERIES

##### RANGES TO 50" (1250 mm)

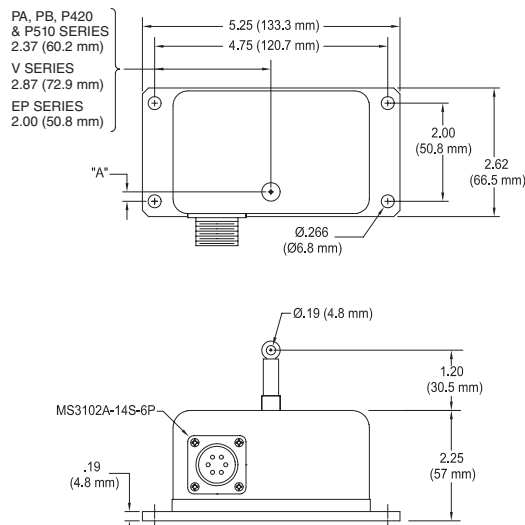


FIG. 1

PA, PB, P420, P510, V Series	
RANGE	DIM "A" (inch) (mm)
2", 10"	0.66 (16.8)
3", 15", 30"	0.51 (12.9)
4", 20", 40"	0.35 (8.8)
5", 25", 50"	0.19 (4.8)
60"	See Figure 2
80"	See Figure 2

EP Series	
RANGE	DIM "A" (inch) (mm)
EP-10	0.68 (17.4)
EP-25, EP-50	0.21 (5.3)
EP-60	See Figure 2
EP-80	See Figure 2
EPM-250	0.68 (17.4)
EPM-1250	0.21 (5.3)

##### RANGES TO 60" (1500 mm) and 80" (2000 mm)

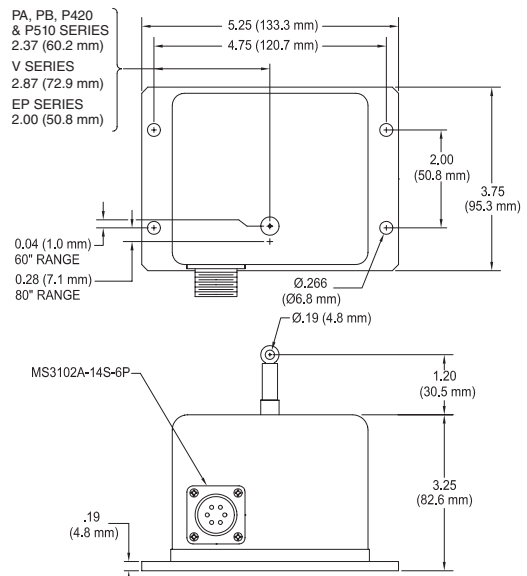


FIG. 2